

PT Plate Processors

Introduction for PT Plate Processors

PT series plate processors are a part of CTP digital plate processing systems meeting international design and safety standards, designed & produced by our CTP Digital processing factory. These machines are integrated with foreign advanced ideas and technique, have reasonable structure and are made by excellent production process and material. They are the highly automated machines with wide tolerance of processing control adjustment and wide application range. They are not only the machines, but also the excellent experience we present to you.

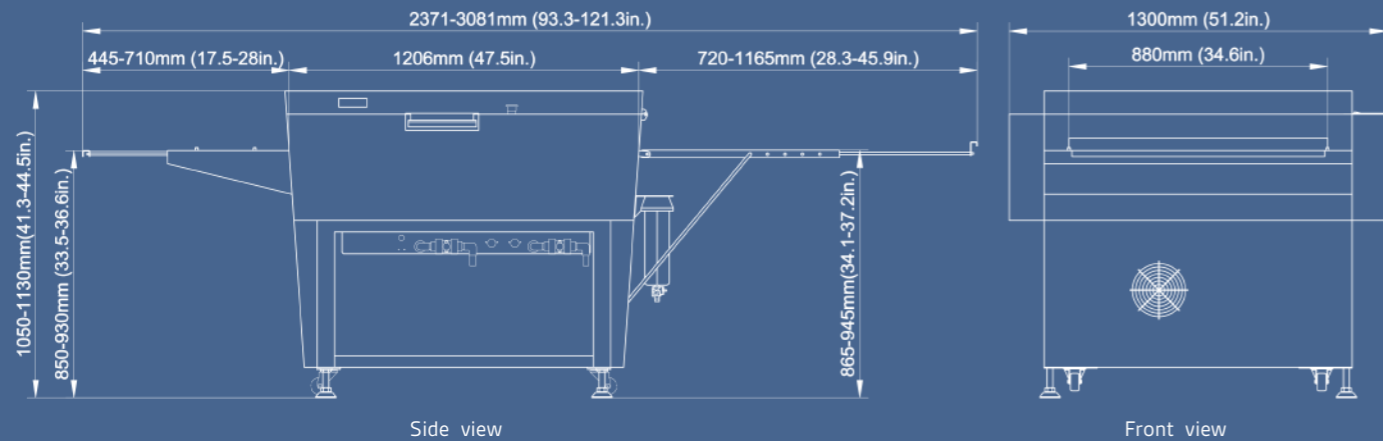
The system features include

- Microprocessor-based controls
- Built-in water recirculation unit (PT125, PT160)
- Flexible developer system
- Extensive control of development conditions
- Intelligent replenishment system
- Over-heat protection system
- Protection system of mechanical transmission
- 6 keys and 127mm x 34mm LCD



Dimensions

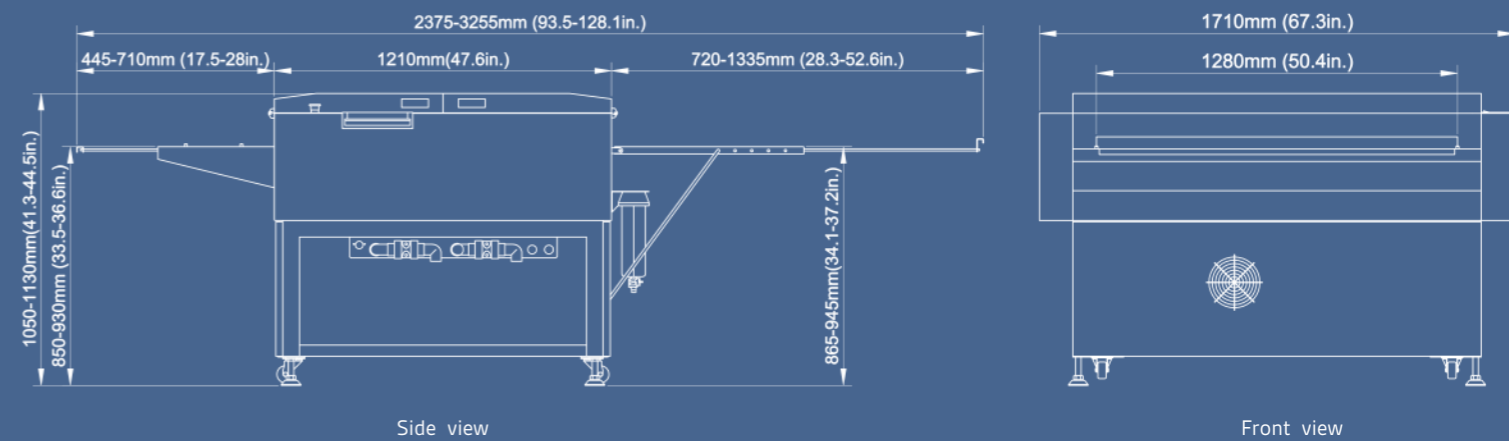
PT 90 Plate Processor



Technical Specifications			
Product name	PT 90 Plate Processor	PT 125 Plate Processor	PT 160 Plate Processor
Dimensions	Page 07	Page 08	Page 09
Processor type	Digital thermal plate processor rated up to 30,000 sqm/year		
Processing sections	Developing, washing, gumming, drying		
Accredited digital plates	Kodak Trillian SP Thermal Plates, Kodak Electra XD Thermal Plates, Kodak Sword Ultra Thermal Plates, Other Positive & Negative thermal plates, etc.		
Maximum plate width	860 mm (34 in.)	1260 mm (49.6 in.)	1580 mm (62.2 in.)
Minimum plate length	400 mm (15.7 in.)		310 mm (12.2 in.)
Maximum plate length	Unlimited		
Gauge range	0.15 - 0.40 mm (0.006-0.016 in.)		
Developer temperature range	20°C - 40°C (68°F-104°F)		
Developer tank volume	30 liters (7.9 gallons)	56 liters (14.8 gallons)	75 liters (19.8 gallons)
Water supply	1 - 4 bar (15 - 58 psi)		
Processing speed	0.38 - 2.28m/min (1.25 - 7.48ft./min), dwell time 10 - 60 seconds		0.57 - 2.28m/min (1.87 - 7.48ft./min), dwell time 15 - 60 seconds
Electrical power	200-240 VAC, single-phase, 50/60 Hz 18 A (max)		
Power outlet	Included for stacker		
Standard accessories	Input and output tables, built-in chiller, operator tools		
Width x length x height (crated)	146x156 x130cm 57x61x51in.	160.5x189x125cm 63x74x49in.	209x228x127.5cm 82x90x50in.
Entrance / exit height	Adjustable: 850 - 950mm (33-37 in.)		Adjustable: 810 - 910 mm (32-36 in.)
Weight (uncrated)	510 kg (1124 lb.)	635 kg (1400 lb.)	823kg (1814 lb.)
Weight (crated)	625 kg (1378 lb.)	810 kg (1786 lb.)	1050kg (2315 lb.)
Approvals	Complies with CE and RoHS		
Optional accessories	Automatic stacker (CSG-86C/CSG-86/CSG-125)		

Dimensions

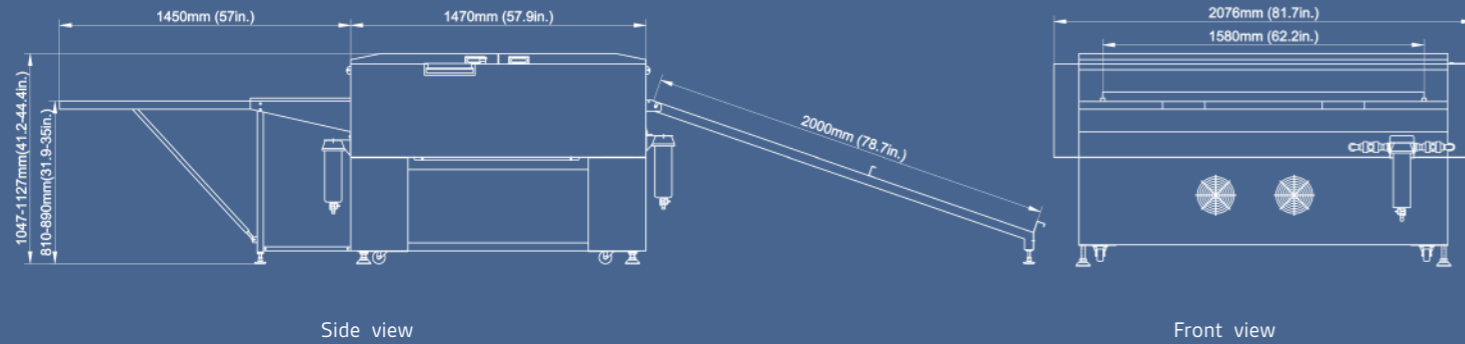
PT 125 Plate Processor



PT Plate Processors

Dimensions

PT 160 Plate Processor



CSG Plate Stackers



Technical Specifications

Product name	CSG 86 Compact Plate Stacker	CSG 86 Plate Stacker	CSG 125 Plate Stacker
Dimensions	Page 11	Page 11	Page 11
Maximum plate width	860 mm (34 in.)	860 mm (34 in.) or 2 x 430 mm (17 in.)	1250 mm (49 in.) or 2 x 630 mm (25 in.)
Minimum plate width	200 mm (7.9 in.)	200 mm (7.9 in.)	200 mm (7.9 in.)
Maximum plate length	770 mm (30 in.)	1200 mm (47 in.)	1450 mm (57 in.)
Minimum plate length	300 mm (12 in.)	300 mm (12 in.)	300 mm (12 in.)
Maximum capacity	100 plates (0.3 mm)	80 plates (0.3 mm)	80 plates (0.3 mm)
Entrance height	Adjustable: 860 - 1100 mm (34 in. - 43 in.)	Adjustable: 860 - 940 mm (34 in. - 37 in.)	Adjustable: 860 - 940 mm (34 in. - 37 in.)
Speed	2-6 m/min(6.6-19.7 ft./min)	2-6 m/min(6.6-19.7 ft./min)	2-6 m/min(6.6-19.7 ft./min)
Width x length x height (crated)	123 x 117 x 157 cm 48 x 46 x 62 in.	140 x 112 x 115 cm 55 x 44 x 45 in.	160 x 160 x 105 cm 63 x 63 x 41 in.
Weight (uncrated)	111.5 kg (245 lb.)	82.5 kg (182 lb.)	105 kg (231 lb.)
Weight (crated)	161 kg (355 lb.)	132 kg (291 lb.)	182 kg (401 lb.)
Electrical power	200-240 VAC, 1A, 50/60 Hz	200-240 VAC, 1A, 50/60 Hz	200-240 VAC, 1A, 50/60 Hz
Approvals	Complies with CE and RoHS		